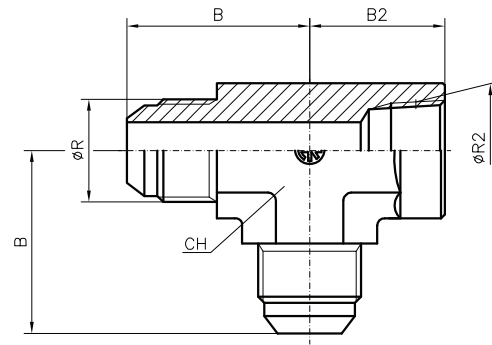




"T" DI DERIVAZIONE FEMMINA NPT
 "T" MALE DE DERIVATION FEMELLE NPT
 DERIVATING "T" FEMALE NPT
 ABLEITUNG "T" MUTTERSETTING NPT
 "T" DERIVACION HEMBRA NPT



| Ø TUBO-TUBE-ROHR | | CODICE REFERENCE CODE BEST.-NR. REFERENCIA | Ø R-UNF JIC 37° | Ø R2 NPT | B | B2 | CH | PN | |
|------------------|--|--|--------------------|-------------|------|------|----|-----|--|
| mm. | Poll.- Pouces Inch.- Zoll Pulgadas | | | | | | | | |
| 6 | 1/4 | ● ST. 73.04.02 | 7/16 | 1/8 | 27,4 | 16,8 | 14 | 350 | |
| 6 | 1/4 | ● ST. 73.04.04 | 7/16 | 1/4 | 31 | 22,4 | 19 | 350 | |
| 8 | 5/16 | ● ST. 73.05.02 | 1/2 | 1/8 | 27,4 | 16,8 | 14 | 350 | |
| 10 | 3/8 | ● ST. 73.06.04 | 9/16 | 1/4 | 31,2 | 22,4 | 19 | 350 | |
| 12 | 1/2 | ● ST. 73.08.06 | 3/4 | 3/8 | 36,1 | 25,9 | 22 | 350 | |
| 14 | - | ● ST. 73.10.08 | 7/8 | 1/2 | 41,7 | 31,2 | 27 | 350 | |
| 15 | - | ● ST. 73.10.08 | 7/8 | 1/2 | 41,7 | 31,2 | 27 | 350 | |
| 16 | 5/8 | ● ST. 73.10.08 | 7/8 | 1/2 | 41,7 | 31,2 | 27 | 350 | |
| 18 | - | ● ST. 73.12.12 | 1" 1/16 | 3/4 | 48 | 34,5 | 33 | 350 | |
| 20 | 3/4 | ● ST. 73.12.12 | 1" 1/16 | 3/4 | 48 | 34,5 | 33 | 350 | |
| 25 | 1" | ● ST. 73.16.16 | 1" 5/16 | 1" | 55,1 | 41,4 | 41 | 250 | |
| 30 | - | ● ST. 73.20.20 | 1" 5/8 | 1" 1/4 | 59,2 | 43,2 | 48 | 210 | |
| 32 | 1" 1/4 | ● ST. 73.20.20 | 1" 5/8 | 1" 1/4 | 59,2 | 43,2 | 48 | 210 | |
| | | | | | | | | | |
| | | | | | | | | | |
| | | | | | | | | | |
| | | | | | | | | | |
| | | | | | | | | | |
| | | | | | | | | | |
| | | | | | | | | | |
| | | | | | | | | | |
| | | | | | | | | | |