



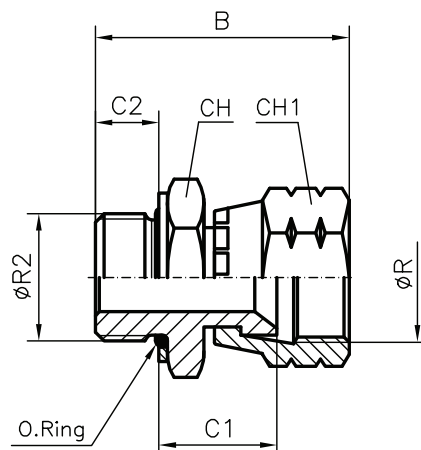
ADATTATORE MASCHIO BSPP (GAS CILINDRICO) CON DADO GIREVOLE JIC

ADAPTEUR MALE BSPP (GAZ CYLINDRIQUE) ECROU PIVOTANT JIC

MALE STUD ADAPTOR BSPP (BSP PARALLEL) WITH ROTARY NUT JIC

EINSCHRAUBADAPTER BSPP (BSP ZYLINDRISCH) MIT DREHMUTTER JIC

ADAPTADOR MACHO BSPP (GAS CILINDRICO) CON TUERCA LOCA



Ø TUBO-TUBE-ROHR		CODICE REFERENCE CODE BEST.-NR. REFERENCIA	Ø R-UNF JIC 37°	Ø R2 BSPP	B	C1	C2	CH	CH1	PN
mm.	Poll. - Pouces Inch. - Zoll Pulgadas									
6	1/4	● BA.49.04.02	7/16	1/8	31,4	16,4	6,3	16 1)	17	350
6	1/4	● BA.49.04.04	7/16	1/4	34,6	16,4	9,5	19	17	350
6	1/4	● BA.49.04.06	7/16	3/8	34,6	16,4	9,5	22	17	350
8	5/16	● BA.49.05.02	1/2	1/8	33,6	17,8	6,3	16 1)	19	350
8	5/16	● BA.49.05.04	1/2	1/4	37,5	18,5	9,5	19	19	350
8	5/16	● BA.49.05.06	1/2	3/8	37,5	18,5	9,5	22	19	350
10	3/8	● BA.49.06.04	9/16	1/4	38	19	9,5	19	19	350
10	3/8	● BA.49.06.06	9/16	3/8	39	20	9,5	22	19	350
10	3/8	● BA.49.06.08	9/16	1/2	42,5	20	13	27	19	350
12	1/2	● BA.49.08.04	3/4	1/4	41,2	21	9,5	19	24	350
12	1/2	● BA.49.08.06	3/4	3/8	41,7	21,5	9,5	22	24	350
12	1/2	● BA.49.08.08	3/4	1/2	46,2	22,5	13	27	24	350
14-15-16	5/8	● BA.49.10.06	7/8	3/8	44,2	22	9,5	22	27	350
14-15-16	5/8	● BA.49.10.08	7/8	1/2	47,9	22,2	13	30	27	350
14-15-16	5/8	● BA.49.10.12	7/8	3/4	47,9	22,2	13	36	27	350
18-20	3/4	● BA.49.12.08	1" 1/16	1/2	50,3	23	13	30	32	350
18-20	3/4	● BA.49.12.12	1" 1/16	3/4	50,3	23	13	36	32	350
18-20	3/4	● BA.49.12.16	1" 1/16	1"	54	23,7	16	46	32	350
25	1"	● BA.49.16.12	1" 5/16	3/4	55,6	27,5	13	36	38 2)	280
25	1"	● BA.49.16.16	1" 5/16	1"	58,6	27,5	16	46	38 2)	280
25	1"	● BA.49.16.20	1" 5/16	1" 1/4	58,6	27,5	16	50	38 2)	280
30-32	1" 1/4	● BA.49.20.16	1" 5/8	1"	61,9	30	16	46	50	210
30-32	1" 1/4	● BA.49.20.20	1" 5/8	1" 1/4	64,9	33	16	50	50	175
38	1" 1/2	● BA.49.24.20	1" 7/8	1" 1/4	70,1	35,5	16	50	60	140
38	1" 1/2	● BA.49.24.24	1" 7/8	1" 1/2	70,1	35,5	16	55	60	140

1) AISI 316L CH = 17

2) AISI 316L CH1 = 41