



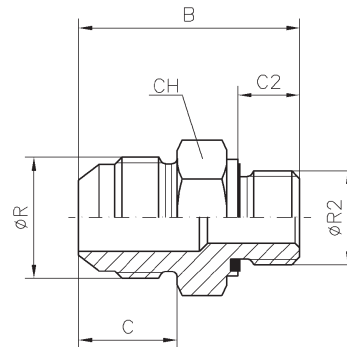
TERMINALE DIRITTO MASCHIO BSPP (GAS CILINDRICO) GG -
GUARNIZIONE GOMMA - FORMA E DIN 3852

TERMINAL DROIT MALE BSPP (GAZ CYLINDRIQUE)
GG - JOINT EN CAOUTCHOUC - FORME E DIN 3852

MALE STUD BSPP (B.S.P. PARALLEL)
GG - RUBBER SEAL - TYPE E DIN 3852

GERADE EINSCHRAUB BSPP (B.S.P. ZYLINDRISCH)
GG - GUMMIDICHTUNG - FORM E DIN 3852

ADAPTADOR RECTO MACHO BSPP (GAS CILINDRICO) GG - JUNTA DE
GOMA - FORMA E DIN 3852



Ø TUBO-TUBE-ROHR		CODICE REFERENCE CODE BEST.-NR. REFERENCIA	Ø R-UNF JIC 37°	Ø R2 BSPP	B	C	C2	CH	PN
mm.	Poll. - Pouces Inch. - Zoll Pulgadas								
6	1/4	● BA.20.04.02	7/16	1/8	30	14	8	14	350
6	1/4	● BA.20.04.04	7/16	1/4	35	14	12	19	350
6	1/4	● BA.20.04.06	7/16	3/8	35,5	14	12	22	350
6	1/4	● BA.20.04.08	7/16	1/2	39	14	14	27	350
8	5/16	● BA.20.05.02	1/2	1/8	30	14	8	14	350
8	5/16	● BA.20.05.04	1/2	1/4	35	14	12	19	350
8	5/16	● BA.20.05.06	1/2	3/8	35,7	14	12	22	350
10	3/8	● BA.20.06.02	9/16	1/8	31	14,1	8	16 1)	350
10	3/8	● BA.20.06.04	9/16	1/4	35	14,1	12	19	350
10	3/8	● BA.20.06.06	9/16	3/8	36	14,1	12	22	350
10	3/8	● BA.20.06.08	9/16	1/2	39,5	14,1	14	27	350
12	1/2	● BA.20.08.04	3/4	1/4	38,5	16,7	12	19	350
12	1/2	● BA.20.08.06	3/4	3/8	39	16,7	12	22	350
12	1/2	● BA.20.08.08	3/4	1/2	42	16,7	14	27	350
12	1/2	● BA.20.08.12	3/4	3/4	45,5	16,7	16	32	250
14	-	● BA.20.10.06	7/8	3/8	42,5	19,3	12	24	350
15	-	● BA.20.10.06	7/8	3/8	42,5	19,3	12	24	350
16	5/8	● BA.20.10.06	7/8	3/8	42,5	19,3	12	24	350
14	-	● BA.20.10.08	7/8	1/2	44,5	19,3	14	27	350
15	-	● BA.20.10.08	7/8	1/2	44,5	19,3	14	27	350
16	5/8	● BA.20.10.08	7/8	1/2	44,5	19,3	14	27	350
14	-	● BA.20.10.12	7/8	3/4	48	19,3	16	32	250
15	-	● BA.20.10.12	7/8	3/4	48	19,3	16	32	250
16	5/8	● BA.20.10.12	7/8	3/4	48	19,3	16	32	250
18	-	● BA.20.12.06	1" 1/16	3/8	45,5	21,9	12	27	350
20	3/4	● BA.20.12.06	1" 1/16	3/8	45,5	21,9	12	27	350
18	-	● BA.20.12.08	1" 1/16	1/2	49	21,9	14	27	350
20	3/4	● BA.20.12.08	1" 1/16	1/2	49	21,9	14	27	350
18	-	● BA.20.12.12	1" 1/16	3/4	51	21,9	16	32	250
20	3/4	● BA.20.12.12	1" 1/16	3/4	51	21,9	16	32	250
18	-	● BA.20.12.16	1" 1/16	1"	53,5	21,9	18	41	250
20	3/4	● BA.20.12.16	1" 1/16	1"	53,5	21,9	18	41	250
25	1"	● BA.20.16.12	1" 5/16	3/4	52,5	23,1	16	36	250
25	1"	● BA.20.16.16	1" 5/16	1"	54,5	23,1	18	41	250
25	1"	● BA.20.16.20	1" 5/16	1" 1/4	58,5	23,1	20	50	175
25	1"	● BA.20.16.24	1" 5/16	1" 1/2	62	23,1	22	55	175
30	-	● BA.20.20.16	1" 5/8	1"	56	24,3	18	46	210
32	1" 1/4	● BA.20.20.16	1" 5/8	1"	56	24,3	18	46	210
30	-	● BA.20.20.20	1" 5/8	1" 1/4	60	24,3	20	50	175
32	1" 1/4	● BA.20.20.20	1" 5/8	1" 1/4	60	24,3	20	50	175
30	-	● BA.20.20.24	1" 5/8	1" 1/2	63,8	24,3	22	55	140
32	1" 1/4	● BA.20.20.24	1" 5/8	1" 1/2	63,8	24,3	22	55	140
38	1" 1/2	● BA.20.24.16	1" 7/8	1"	60	27,5	18	50	140
38	1" 1/2	● BA.20.24.20	1" 7/8	1" 1/4	65	27,5	20	50	140
38	1" 1/2	● BA.20.24.24	1" 7/8	1" 1/2	67	27,5	22	55	140

1) AISI 316L CH = 17