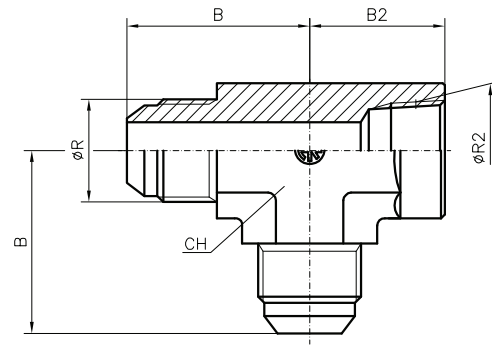




"T" DI DERIVAZIONE FEMMINA NPT  
 "T" MALE DE DERIVATION FEMELLE NPT  
 DERIVATING "T" FEMALE NPT  
 ABLEITUNG "T" MUTTERSETTING NPT  
 "T" DERIVACION HEMBRA NPT



Ø TUBO-TUBE-ROHR		CODICE REFERENCE CODE BEST.-NR. REFERENCIA	Ø R-UNF JIC 37°	Ø R2 NPT	B	B2	CH	PN	
mm.	Poll.- Pouces Inch.- Zoll Pulgadas								
6	1/4	● ST. 73.04.02	7/16	1/8	27,4	16,8	14	350	
6	1/4	● ST. 73.04.04	7/16	1/4	31	22,4	19	350	
8	5/16	● ST. 73.05.02	1/2	1/8	27,4	16,8	14	350	
10	3/8	● ST. 73.06.04	9/16	1/4	31,2	22,4	19	350	
12	1/2	● ST. 73.08.06	3/4	3/8	36,1	25,9	22	350	
14	-	● ST. 73.10.08	7/8	1/2	41,7	31,2	27	350	
15	-	● ST. 73.10.08	7/8	1/2	41,7	31,2	27	350	
16	5/8	● ST. 73.10.08	7/8	1/2	41,7	31,2	27	350	
18	-	● ST. 73.12.12	1" 1/16	3/4	48	34,5	33	350	
20	3/4	● ST. 73.12.12	1" 1/16	3/4	48	34,5	33	350	
25	1"	● ST. 73.16.16	1" 5/16	1"	55,1	41,4	41	250	
30	-	● ST. 73.20.20	1" 5/8	1" 1/4	59,2	43,2	48	210	
32	1" 1/4	● ST. 73.20.20	1" 5/8	1" 1/4	59,2	43,2	48	210	