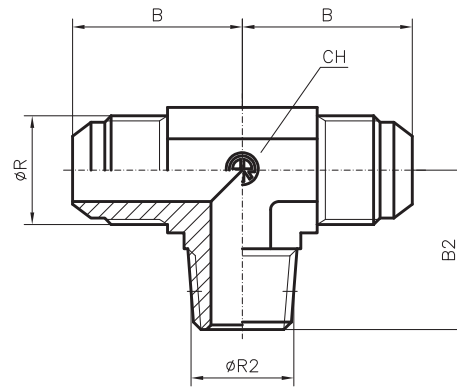


“T” MASCHIO DI LINEA NPT  
 “T” MALE DE LIGNE NPT  
 “T” MALE LINE NPT  
 LINIEN EINSCHRAUß-T NPT  
 TE MACHO CÓNICO NPT



Ø TUBO-TUBE-ROHR		CODICE REFERENCE CODE BEST.-NR. REFERENCIA	Ø R-UNF JIC 37°	Ø R2 NPT	B	B2	CH	PN	
mm.	Poll.- Pouces Inch.- Zoll Pulgadas								
6	1/4	● ST. 66.04.02	7/16	1/8	22,6	19,8	11 1)	350	
6	1/4	● ST. 66.04.04	7/16	1/4	26,9	27,7	14	350	
8	5/16	● ST. 66.05.02	1/2	1/8	24,1	19,8	13 2)	350	
10	3/8	● ST. 66.06.04	9/16	1/4	26,9	27,7	14	350	
10	3/8	● ST. 66.06.06	9/16	3/8	29	31	19	350	
12	1/2	● ST. 66.08.06	3/4	3/8	31,8	31	19	350	
12	1/2	● ST. 66.08.08	3/4	1/2	33,7	37,3	22	350	
14	-	● ST. 66.10.08	7/8	1/2	36,8	37,3	22	350	
15	-	● ST. 66.10.08	7/8	1/2	36,8	37,3	22	350	
16	5/8	● ST. 66.10.08	7/8	1/2	36,8	37,3	22	350	
18	-	● ST. 66.12.12	1" 1/16	3/4	42,2	40,4	27	350	
20	3/4	● ST. 66.12.12	1" 1/16	3/4	42,2	40,4	27	350	
25	1"	● ST. 66.16.16	1" 5/16	1"	46	50	33	280	
30	-	● ST. 66.20.20	1" 5/8	1" 1/4	52,3	59,6	41	210	
32	1" 1/4	● ST. 66.20.20	1" 5/8	1" 1/4	52,3	59,6	41	210	