

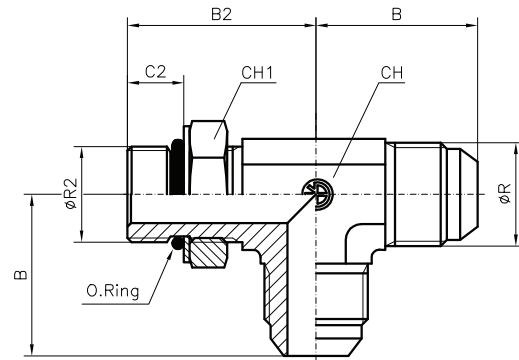
“T” MASCHIO DI DERIVAZIONE UNF 2A

“T” MALE DE DERIVATION UNF 2A

DERIVATING “T” UNF 2A

ABLEITUNG “T” UNF 2A

TE ORIENTABLE LATERAL UNF 2A



Ø TUBO-TUBE-ROHR		CODICE REFERENCE CODE BEST.-NR. REFERENCIA	Ø R-UNF JIC 37°	Ø R2 UNF	B	B2	C2	CH	CH1	PN
mm.	Poll.- Pouces Inch.- Zoll Pulgadas									
6	1/4	● ST. 65.04.04	7/16	7/16	22,6	26,2	9	11 ¹⁾	14	350
8	5/16	● ST. 65.05.05	1/2	1/2	24,1	27,7	9	13 ²⁾	16 ³⁾	350
10	3/8	● ST. 65.06.06	9/16	9/16	26,9	31,8	10	14	17	350
12	1/2	● ST. 65.08.08	3/4	3/4	31,8	36,8	11	19	22	350
14	-	● ST. 65.10.10	7/8	7/8	36,8	43,2	12,7	22	27	350