



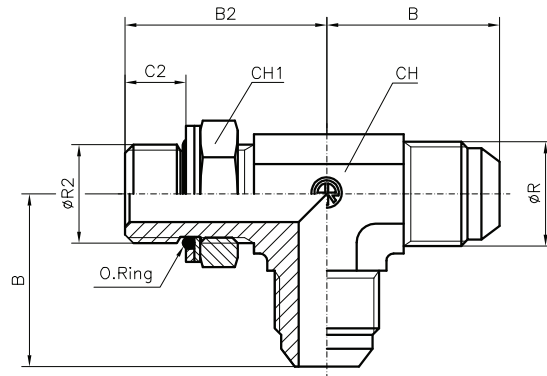
“T” MASCHIO DI DERIVAZIONE BSPP  
(GAS CILINDRICO)

“T” MALE DE DERIVATION BSPP  
(GAZ CYLINDRIQUE)

DERIVATING “T” BSPP  
(BSP PARALLEL)

ABLEITUNG “T” BSPP  
(BSP ZYLINDRISCH)

TE ORIENTABLE LATERAL BSPP  
(GAS CILINDRICO)



Ø TUBO-TUBE-ROHR		CODICE REFERENCE CODE BEST.-NR. REFERENCIA	Ø R-UNF JIC 37°	Ø R2 BSPP	B*	B2*	C2	CH	CH1	PN
mm.	Poll.- Pouces Inch.- Zoll Pulgadas									
6	1/4	● ST. 63.04.02	7/16	1/8	22,6	26	6,3	11 1)	14	350
6	1/4	● ST. 63.04.04	7/16	1/4	26,7	31,8	9,5	14	19	350
6	1/4	● ST. 63.04.06	7/16	3/8	28,5	37	9,5	19	22	350
6	1/4	● ST. 63.04.08	7/16	1/2	26,9	43	13	22	27	350
8	5/16	● ST. 63.05.02	1/2	1/8	24,1	26	6,3	13 2)	14	350
8	5/16	● ST. 63.05.04	1/2	1/4	26,7	31,8	9,5	14	19	350
8	5/16	● ST. 63.05.06	1/2	3/8	28,7	36,8	9,5	19	22	350
10	3/8	● ST. 63.06.04	9/16	1/4	26,9	32,5	9,5	14	19	350
10	3/8	● ST. 63.06.06	9/16	3/8	29	37,5	9,5	19	22	350
10	3/8	● ST. 63.06.08	9/16	1/2	31,1	43	13	22	27	350
12	1/2	● ST. 63.08.04	3/4	1/4	31,8	33,5	9,5	19	19	350
12	1/2	● ST. 63.08.06	3/4	3/8	31,8	37,5	9,5	19	22	350
12	1/2	● ST. 63.08.08	3/4	1/2	33,7	43	13	22	27	350
12	1/2	● ST. 63.08.12	3/4	3/4	36	49,5	13	27	36	350
14-15-16	5/8	● ST. 63.10.06	7/8	3/8	36,8	39,1	9,5	22	22	350
14-15-16	5/8	● ST. 63.10.08	7/8	1/2	36,8	43	13	22	27	350
14-15-16	5/8	● ST. 63.10.12	7/8	3/4	38,9	49,5	13	27	36	350
18-20	3/4	● ST. 63.12.08	1" 1/16	1/2	42,2	45,2	13	27	27	250
18-20	3/4	● ST. 63.12.12	1" 1/16	3/4	42,2	49,5	13	27	36	250
18-20	3/4	● ST. 63.12.16	1" 1/16	1"	44,8	52	16	33	41	250
25	1"	● ST. 63.16.12	1" 5/16	3/4	46	52	13	33	36	250
25	1"	● ST. 63.16.16	1" 5/16	1"	46	52	16	33	41	250
25	1"	● ST. 63.16.20	1" 5/16	1" 1/4	51	57	16	41	50	250
30-32	1" 1/4	● ST. 63.20.16	1" 5/8	1"	52,3	57	16	41	41	175
30-32	1" 1/4	● ST. 63.20.20	1" 5/8	1" 1/4	52,3	57	16	41	50	175