



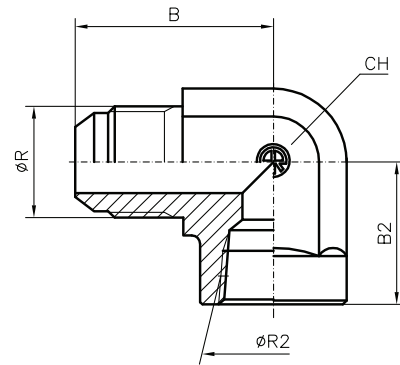
GOMITO 90° FEMMINA NPT

COUDE 90° FEMELLE NPT

ELBOW 90° FEMALE NPT

WINKELVERSCHRAUBUNG 90° MUTTERSETTING
NPT

CODO 90° HEMBRA NPT



Ø TUBO-TUBE-ROHR		CODICE REFERENCE CODE BEST.-NR. REFERENCIA	Ø R-UNF JIC 37°	Ø R2 NPT	B	B2	CH	PN	
mm.	Poll.-Pouces Inch.- Zoll Pulgadas								
6	1/4	● ST. 17.04.02	7/16	1/8	27,4	16,8	14	350	
6	1/4	● ST. 17.04.04	7/16	1/4	31	22,4	19	350	
8	5/16	● ST. 17.05.02	1/2	1/8	27,4	16,8	14	350	
8	5/16	● ST. 17.05.04	1/2	1/4	28,7	22,4	19	350	
10	3/8	● ST. 17.06.02	9/16	1/8	31,2	17	14	350	
10	3/8	● ST. 17.06.04	9/16	1/4	31,2	22,4	19	350	
10	3/8	● ST. 17.06.06	9/16	3/8	33,3	25,9	22	350	
12	1/2	● ST. 17.08.04	3/4	1/4	36,1	25,9	19	350	
12	1/2	● ST. 17.08.06	3/4	3/8	36,1	25,9	22	350	
12	1/2	● ST. 17.08.08	3/4	1/2	38,7	31,2	27	350	
14-15-16	5/8	● ST. 17.10.08	7/8	1/2	41,7	31,2	27	350	
18-20	3/4	● ST. 17.12.08	1" 1/16	1/2	48	34,5	27	250	
18-20	3/4	● ST. 17.12.12	1" 1/16	3/4	48	34,5	33	350	
25	1"	● ST. 17.16.16	1" 5/16	1"	55,1	41,4	41	250	
30-32	1" 1/4	● ST. 17.20.20	1" 5/8	1" 1/4	59,2	43,2	48	210	